

# Model I-6500 A-HO

Healthcare. Air purification Systems

*Filter airborne bacteria, droplets  
and some viruses*

For use in hospitals, isolation wards and crisis centers.

## Pre-filter

- 2" pleated pre-filter to protect HEPA for a longer life.

## HEPA Filter

- Gel sealed on a knife edge, metal framed HEPA Filter, 18.5" x 23.125" x 12"

## Blower assembly

- 2 speed blower, 450 to 700 C.F.M. (1050 free flow)
- Factory balanced and tested to ensure quiet, vibration-free operation
- Vibration absorbing motor mounting

## Control Panel

- Recessed, designed for easy monitoring.
- 2 position, on/off switch
- Minihelic gauge for visual indication of filter pressure

## Robust cabinet size housing

- 20 gauge, powder coated steel, which does not allow any off-gassing designed to fit with any decor
- Non moving lockable 3" wheels for easy manoeuvrability.

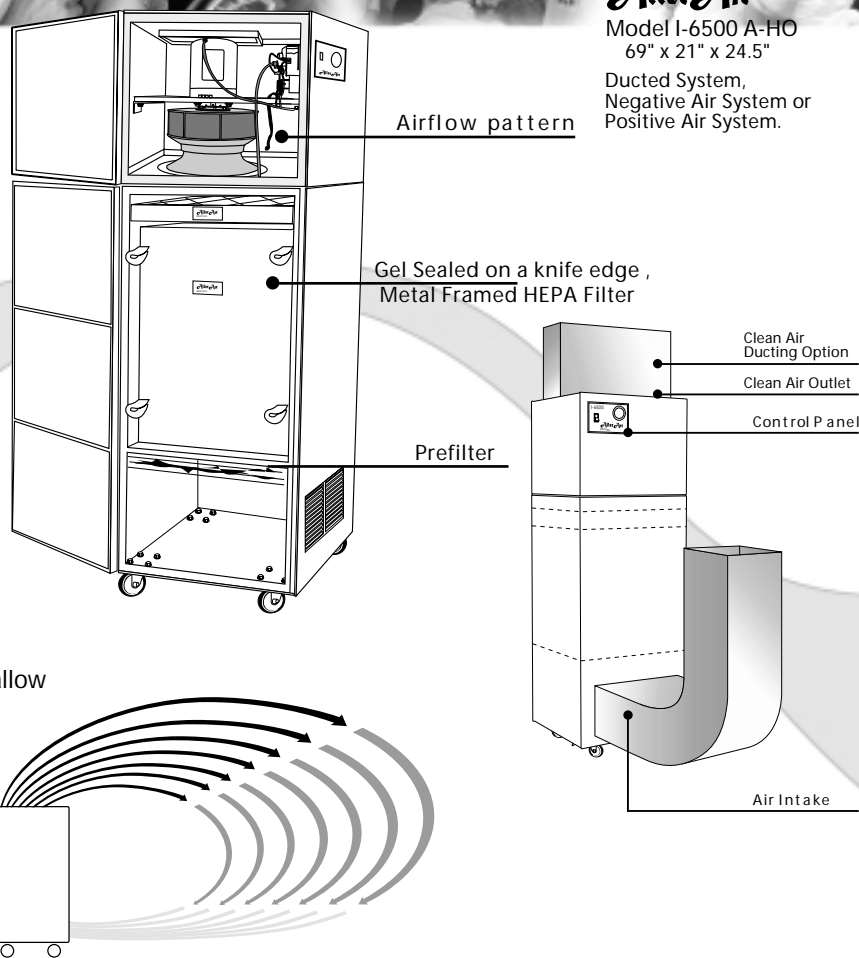
## Available Options

- See back page for standard and recirculating I-6500 for industry and commerce



**AllerAir**  
Model I-6500 A-HO  
69" x 21" x 24.5"

Ducted System,  
Negative Air System or  
Positive Air System.



Heavy duty particulate and/or chemical odor solution

## I-6500 A

1500 CFM Free Flow

Standard Equipment

- HEPA 18.5" x 23.5" x 12"
  - Carbon, 80 lbs. gas phase adsorbent
  - Anti-microbial pre-filters
- \$ 4999.98**

Or \_\_\_\_\_

- Carbon, 160 lbs. gas phase adsorbent
  - HEPA 18.5" x 23.5" x 2"
- \$ 5999.98**

Specialized adsorbents available (ask for cost)

Heavy duty particulate or chemical odor solution

## I-6500 B

1500 CFM Free Flow

Standard Equipment

- HEPA 18.5" x 23.5" x 12"
  - Anti-microbial pre-filters
- \$ 3499.98**

Optional Features

- Carbon, 2" pleat filter **3 for \$ 99.98**
- Granular carbon, 2" filter **\$ 199.98**

Or \_\_\_\_\_

- Carbon, 80 lbs. gas phase adsorbent
  - Anti-microbial pre-filters
- \$ 3999.98**

Optional Features

- HEPA 2" mini-pleat filter **\$ 159.98**

Specialized adsorbents available (ask for cost)

Heavy duty particulate or chemical odor solution

## I-6500 C

730 CFM Free Flow

Standard Equipment

- HEPA 18.5" x 23.5" x 12"
  - Anti-microbial pre-filters
- n/a**

Optional Features

- Carbon, 2" pleat filter **3 for \$ 99.98**
- Granular carbon, 2" filter **\$ 199.98**

Or \_\_\_\_\_

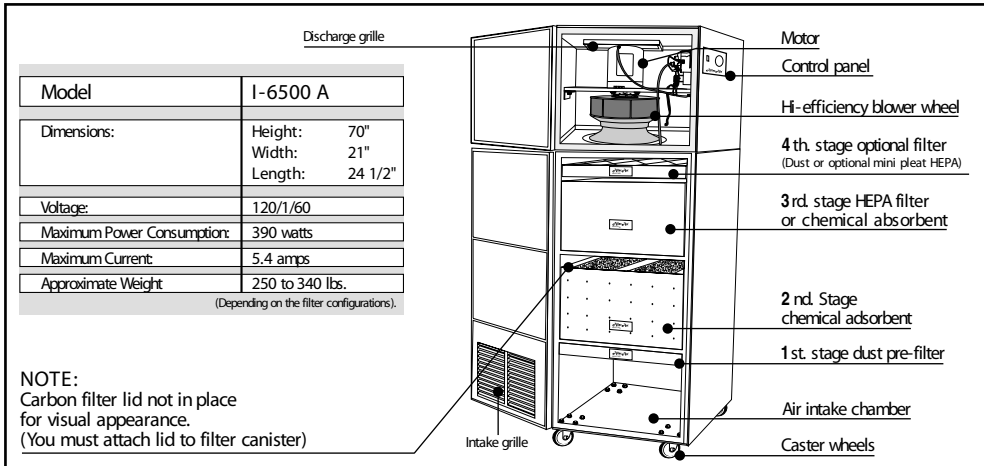
- Carbon, 80 lbs. gas phase adsorbent
  - Anti-microbial pre-filters
- n/a**

Optional Features

- HEPA 2" mini-pleat filter **\$ 159.98**

Specialized adsorbents available (ask for cost)

## I-6500 A



## I-6500 B and C

