

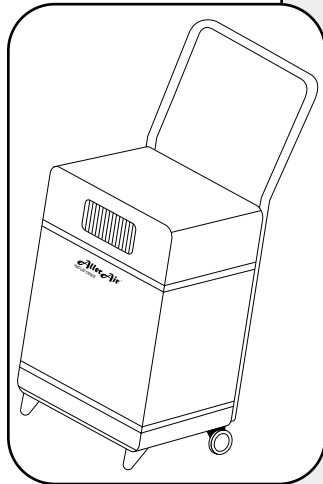
## Restorator Units

### Chemical, Odor, Fire & Flood solutions.

#### MODEL 6000 D/SS STAINLESS STEEL

**\$899.<sup>98</sup> U.S.**

- 36 lbs. Activated coconut carbon granules, zeolite + 2 anti microbial filters.
  - MicroHEPA particle filter.
  - 1 year limited warranty.
  - Self refillable carbon.
  - Industrial electric cord.
  - Heavy duty easy roll casters with handle.
- Carbon & HEPA models available as option.



For use in any environment for odors, chemicals and gases.

**400 CFM** FAN RATING

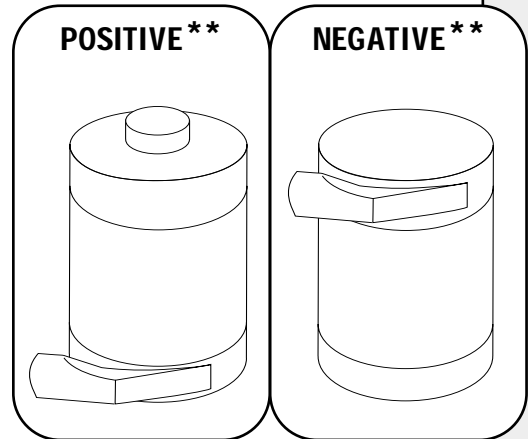
28 AND 36 LBS. OF CARBON MODELS AVAILABLE

AllerAir

#### MODEL 5000 D POS-NEG

**\$799.<sup>98</sup> U.S.**

- 21 lbs. Activated coconut carbon granules, zeolite + 2 anti microbial filters.
  - MicroHEPA particle filter.
  - 1 year limited warranty.
  - Self refillable carbon.
  - Colors: Black, special colors available.
  - For use to produce positive or negative air pressure.
  - Industrial electric cord
- Carbon & HEPA models available as option.



**400 CFM** FAN RATING

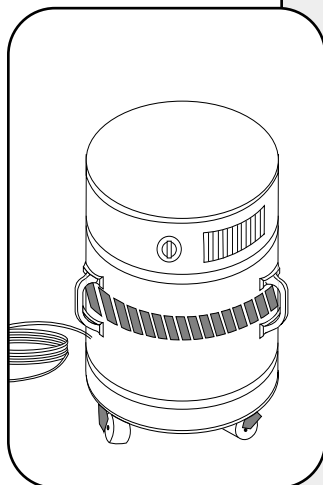
UP TO 48 LBS. OF CARBON MODELS AVAILABLE

AllerAir

#### MODEL 5000 PRO/D

**\$899.<sup>98</sup> U.S.**

- 21 lbs. Activated coconut carbon granules, zeolite + 2 anti microbial filters. (Specialty adsorbents available for formaldehyde)
- MicroHEPA particle filter.
- Heavy duty steel body / Heavy duty roller bearing wheels / industrial electric cord / 2 easy grip handles / Cautionary striping.
- Self refillable carbon
- 1 year limited warranty.
- Colors: Safety yellow



For use in any environment for odors, chemicals and gases.

**400 CFM** FAN RATING

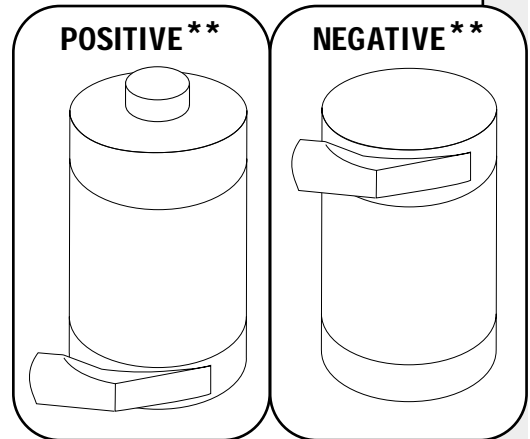
UP TO 48 LBS. OF CARBON MODELS AVAILABLE

AllerAir

#### MODEL 6000 DX POS-NEG

**\$999.<sup>98</sup> U.S.**

- 36 lbs. Activated coconut carbon granules, zeolite + 2 anti microbial filters.
  - MicroHEPA particle filter.
  - 1 year limited warranty.
  - Self refillable carbon
  - Colors: Black, special colors available.
  - For use to produce positive or negative air pressure.
  - Industrial electric cord.
- Carbon & HEPA models available as option.



**400 CFM** FAN RATING

UP TO 48 LBS. OF CARBON MODELS AVAILABLE

AllerAir

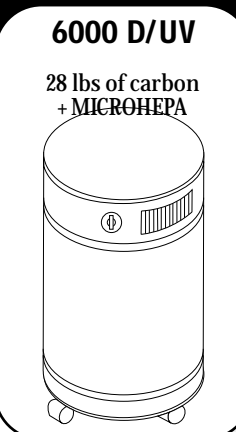
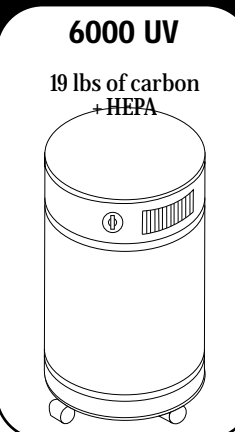
#### MODEL 6000 UV MODEL 6000 D/UV

(VOCARB AVAILABLE \$899.98)\*

**\$799.<sup>98</sup> U.S.**

**\$899.<sup>98</sup> U.S.**

- HEPA / Laser tested to remove 99.97% of 0.3 Micron particulates and larger. (6000 UV only)
- 19 to 28 lbs. Activated coconut carbon granules, zeolite + 2 anti microbial filters..
- 1 year limited warranty.
- Self refillable carbon (6000 D/UV only)
- Easy roll casters.
- Colors: Black, white, pewter, sand..



Superb unit to minimize mold infestation risk, after flooding and water damage

**400 CFM** FAN RATING

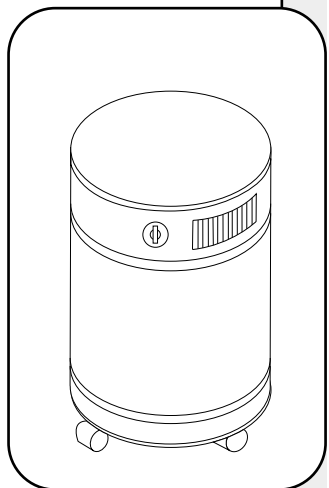
UP TO 48 LBS. OF CARBON MODELS AVAILABLE

AllerAir

#### MODEL 5000 EXEC

**\$399.<sup>98</sup> U.S.**

- HEPA / Laser tested to remove 99.97% of 0.3 Micron particulates and larger.
- 14-15 lbs. Activated coconut shell carbon granules, zeolite + 2 anti microbial filters.
- Effective up to 1500 SQ. FT.
- 5 year limited warranty.
- Easy roll casters.
- Colors: Black, white, sandstone, pewter, antique copper, green, burgundy, yellow & blue



Superb unit for resale after restoration projects.

**400 CFM** FAN RATING

UP TO 48 LBS. OF CARBON MODELS AVAILABLE

AllerAir

\* Vocarb model for use where enhanced adsorption required for formaldehyde, ozone, cleansers, ethylene, heavy metals found in cigarette smoke, lower weight hydrocarbons etc.

\*\* Positive and negative air pressure machines are 2 separate and distinct models

**GUARANTEED LOWEST COST  
FOR QUALITY ADSORBENT UNITS**

**1-800-626-0664**